

## R95-123



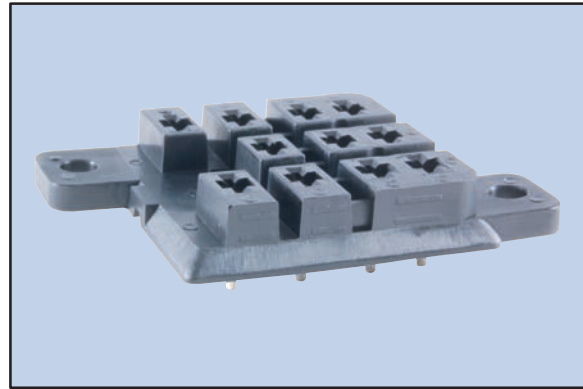
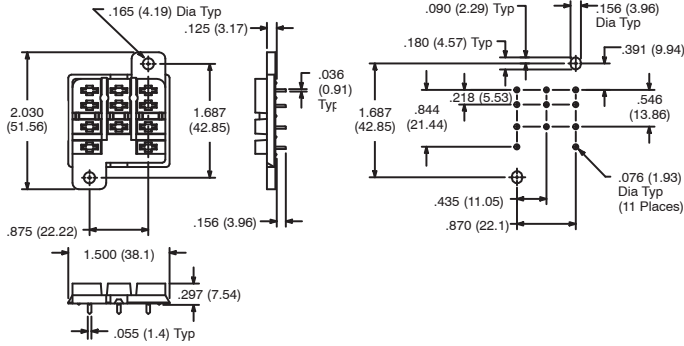
## 11-Pin Blade Socket

### Features

- P.C. Board Mount
- Accepts .187" Blade Terminals
- 3PDT, DPDT & SPDT Applications

### Electrical Rating:

300 Volts, 10 Amps



## R95-124



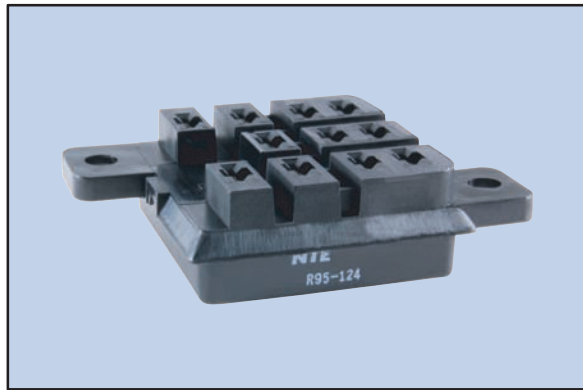
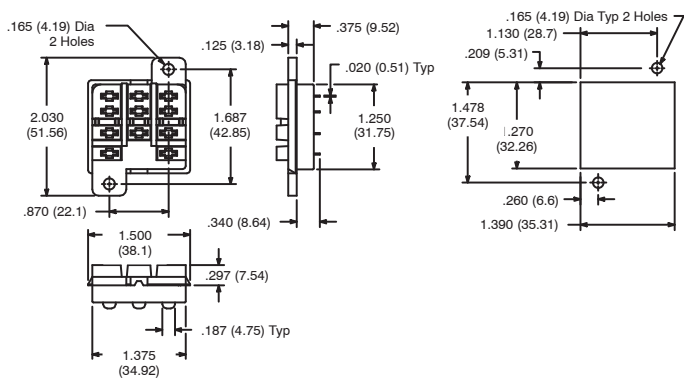
## 11-Pin Blade Socket

### Features

- Panel Mount
- Accepts .187" Blade Terminals
- Quick disconnect terminals

### Electrical Rating:

300 Volts, 10 Amps



## R95-125

## Prepunched Aluminum DIN Rail

### Features

- Available in 1 Meter Lengths

