

RLY9192

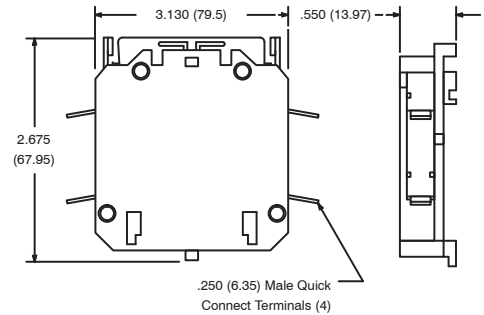
Features

- 1 SPST-NO and 1 SPST-NC w/.250" Quick-Connect Terminal
- For RLY530, RLY540, and RLY550 Series

Electrical Rating:

Contacts SPST
Maximum Current . . 10A @ 600 VAC

Auxiliary Switch for 3-Pole Definite Purpose Contactor Applications



RLY9193

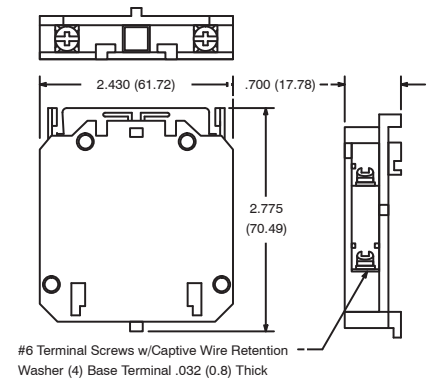
Features

- 1 SPST-NO and 1 SPST-NC w/6-32 Screw Terminals
- For RLY530, RLY540, and RLY550 Series

Electrical Rating:

Contacts SPST
Maximum Current . . 10A @ 600 VAC

Auxiliary Switch for 3-Pole Definite Purpose Contactor Applications

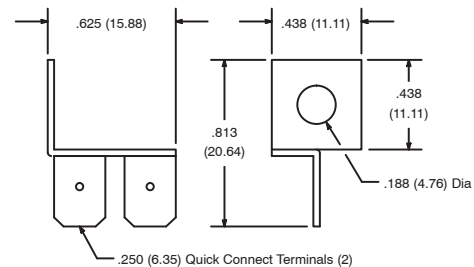


RLY9201

Features:

- For RLY400 & RLY600 Series

Dual .250" Quick Connect Terminals for Contactors



RLY9202

Features:

- For RLY600 Series

Electrical Rating:

Maximum Wire Size #14 AWG

Box Lug for Contactors

