

Sealed Automotive/Marine Nylon Snap-In Rocker, Illuminated



Features

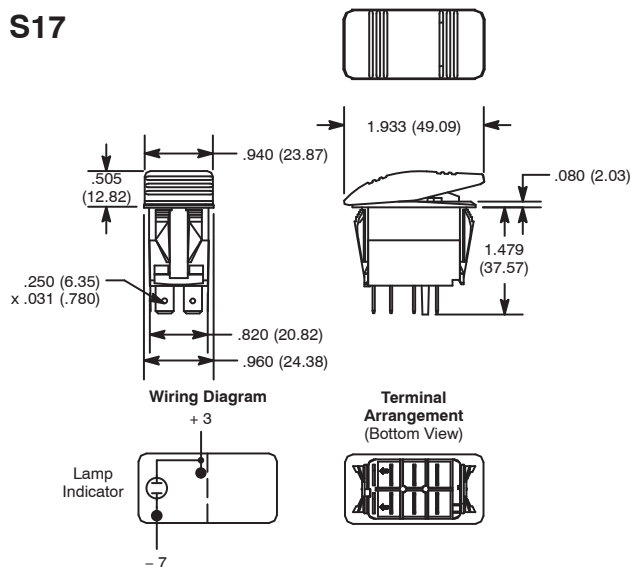
- IP66/IP68 Certified
- UL1500 Recognized – Ignition Protection for Marine Use
- Sealed for Auto/Marine applications
- Salt Spray Resistant
- Able to Withstand -40° to $+85^{\circ}\text{C}$ Temperature



NTE Type No.	Circuitry	Action			Actuator	Lens Color	Diag No.
54-034	SPST	ON	NONE	OFF	Illuminated Thermoplastic polycarbonate with a hard Nylon 66 thermoplastic surface overlay	Amber	S17
54-035	SPST	ON	NONE	OFF		Red	S17
54-036	DPDT	ON	OFF	ON		Green	S17
54-037	DPDT	ON	OFF	ON		Red	S17
54-038	SPST	(ON)	NONE	OFF		Amber	S17
54-039	SPST	(ON)	NONE	OFF		Red	S17
54-040	DPDT	(ON)	OFF	(ON)		Amber	S17
54-041	DPDT	(ON)	OFF	(ON)		Green	S17
54-042	DPDT	(ON)	OFF	(ON)		Red	S17
54-043	DPDT	(ON)	OFF	(ON)		Blue	S17
54-087	SPST	ON	NONE	OFF		Green	S17
54-088	SPST	ON	NONE	OFF		Blue	S17
54-089	DPDT	ON	OFF	ON		Amber	S17
54-090	DPDT	ON	OFF	ON		Blue	S17
54-091	SPST	(ON)	NONE	OFF		Green	S17
54-092	SPST	(ON)	NONE	OFF		Blue	S17

SPECIAL NOTE: () = Momentary Function

S17



Specifications

Current Rating: 20A 12VDC
Lamp Voltage: 12V Incandescent
Insulation Resistance: 50 Megohms (min.)
Dielectric Strength: 1500V RMS (min.)
Temperature Rating: -40° to $+185^{\circ}\text{F}$ (-40° to $+85^{\circ}\text{C}$)
Electrical Life: 50,000 to 100,000 cycles circuit dependent
Mechanical Life: 150,000 cycles
Terminal Type: .250" Tab Q.C.
Mounting Hole: 1.450 (36.83) x .830 (21.08)