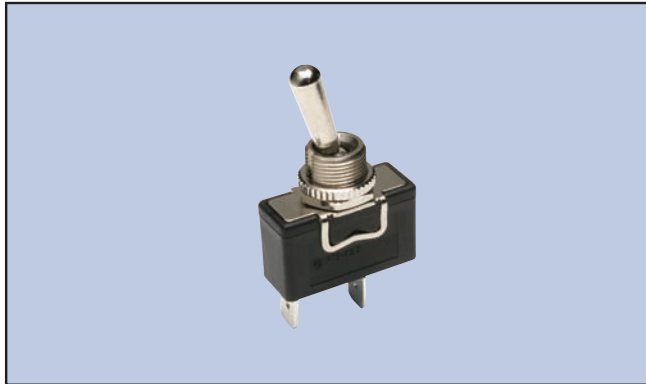


Waterproof Bat Handle Toggle

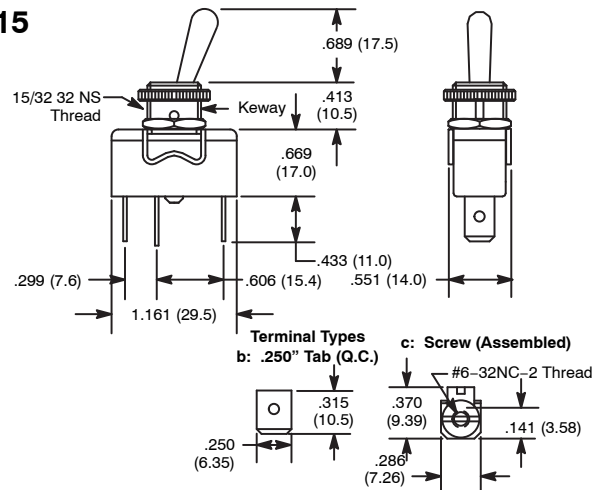


Features

- Waterproof: IP56
- Single Pole Types
- Internal "O" Ring for Moisture and Dust Resistance
- .250" Quick Connect Terminals



S115



Specifications

Current Rating:

54-348W & 54-354W: 20A 277VAC, 1 HP

All Other Devices: 16A 277VAC, 1 HP

Insulation Resistance: 100 Megohms (min.) at 500VDC

Dielectric Strength: 1500V RMS (min.)

Temperature Rating: +32°F to +149°F (0°C to +65°C)

Electrical Life: 6,000 cycles

Mechanical Life: 10,000 cycles at full load

Terminal Type: Refer to Diag No. in Table

Mounting Hole: .472 (12.0)

NTE Type No.	Circuitry	Action			Actuator	Diag No.
NEW 54-348W	SPST	ON	NONE	OFF	Brass/Nickel Plate	S115b
NEW 54-349W	SPDT	ON	NONE	ON	Brass/Nickel Plate	S115b
NEW 54-350W	SPDT	ON	OFF	ON	Brass/Nickel Plate	S115b
NEW 54-352W	SPDT	(ON)	OFF	(ON)	Brass/Nickel Plate	S115b
NEW 54-354W	SPST	ON	NONE	OFF	Brass/Nickel Plate	S115c
NEW 54-355W	SPDT	ON	NONE	ON	Brass/Nickel Plate	S115c
NEW 54-356W	SPDT	ON	OFF	ON	Brass/Nickel Plate	S115c
NEW 54-358W	SPDT	(ON)	OFF	(ON)	Brass/Nickel Plate	S115c

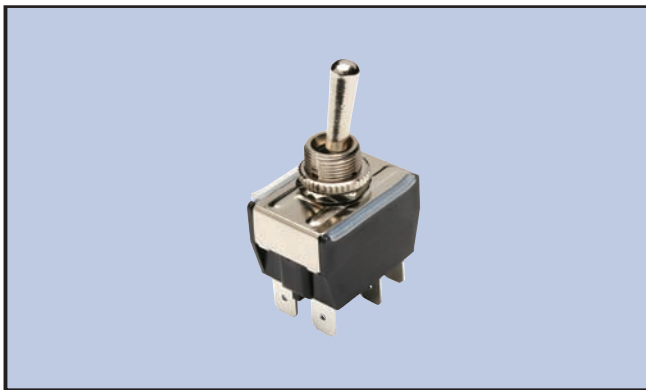
SPECIAL NOTE: () = Momentary Function

Waterproof Bat Handle Toggle

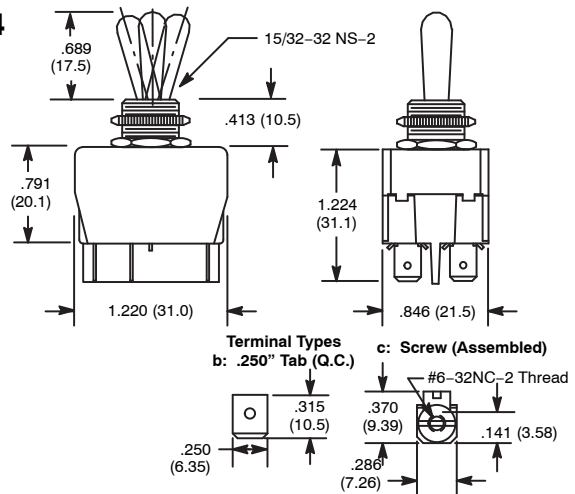


Features

- Waterproof: IP56
- Double Pole Types
- Internal "O" Ring for Moisture and Dust Resistance
- .250" Quick Connect Terminals



S114



Specifications

Current Rating:

54-366W & 54-367W: 20A 277VAC, 1 HP

All Other Devices: 16A 277VAC, 1 HP

Insulation Resistance: 100 Megohms (min.) at 500VDC

Dielectric Strength: 1500V RMS (min.)

Temperature Rating: +32°F to +149°F (0°C to +65°C)

Electrical Life: 6,000 cycles

Mechanical Life: 10,000 cycles at full load

Terminal Type: Refer to Diag No. in Table

Mounting Hole: .472 (12.0)

NTE Type No.	Circuitry	Action			Actuator	Diag No.
NEW 54-360W	DPDT	ON	NONE	ON	Brass/Nickel Plate	S114b
NEW 54-361W	DPDT	ON	OFF	ON	Brass/Nickel Plate	S114b
NEW 54-364W	DPDT	(ON)	OFF	(ON)	Brass/Nickel Plate	S114b
NEW 54-366W	DPST	ON	NONE	OFF	Brass/Nickel Plate	S114b
NEW 54-367W	DPST	ON	NONE	OFF	Brass/Nickel Plate	S114c
NEW 54-369W	DPDT	ON	NONE	ON	Brass/Nickel Plate	S114c
NEW 54-370W	DPDT	ON	OFF	ON	Brass/Nickel Plate	S114c
NEW 54-373W	DPDT	(ON)	OFF	(ON)	Brass/Nickel Plate	S114c

SPECIAL NOTE: () = Momentary Function