

# Snap Action, Standard



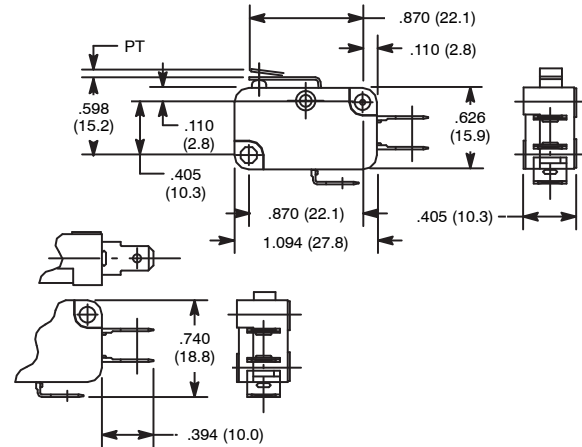
## Features

- Actuator: Short Hinge Lever



NTE Type No.	Circuitry	Max. Pre-Travel	Min. Over Travel	Max. Operating Force	Max. Differential	Diag No.
54-421	SPDT	0.05"	0.05"	200g	0.01"	S65

## S65



Quick Connect Terminals

## Specifications

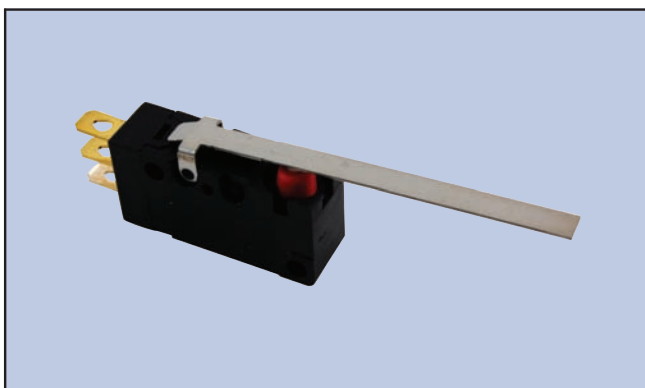
**Current Rating:** 10A 250VAC, 0.1A 125VDC  
**Contact Resistance:** 30 Milliohms (max.) initial  
**Insulation Resistance:** 100 Megohms at 500VDC  
**Dielectric Strength:** 1000VAC between non-continuous terminals  
**Temperature Rating:** -13° to +176°F (-25° to +80°C)  
**Electrical Life:** 300,000 cycles min. (under rated load)  
**Mechanical Life:** 50,000,000 cycles min.  
**Terminal Type:** .187" Quick Connect Terminals

# Snap Action, Sealed, Miniature



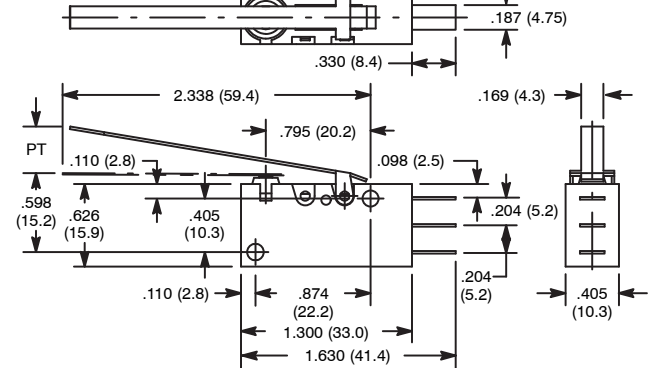
## Features

- Actuator: Long Hinge Lever
- Sealed Construction (Meets IP50 Requirements)
- RoHS Compliant



NTE Type No.	Circuitry	Max. Pre-Travel	Min. Over Travel	Max. Operating Force	Max. Differential	Diag No.
54-480WT	SPDT	0.35"	0.13"	60g	0.03"	S110
54-481WT	SPDT	0.35"	0.13"	60g	0.03"	S110

## S110



## Specifications

**Current Rating:**  
**54-480WT:** 5A 125/250VAC (Note: UL/CSA for 3 Amp Only), 5A 30VDC, 0.4A 125VDC, 0.2A 250VDC  
**54-481WT:** 0.1A 125VAC, 0.1A 30VDC  
**Contact Resistance:** 100 Milliohms (max.) initial  
**Insulation Resistance:** 100 Megohms (min.) at 500VDC  
**Dielectric Strength (50/60Hz for 1 min.):**  
**Between Contacts of Same Polarity:** 1000VAC  
**Between Each Terminal & GND:** 1500VAC  
**Temperature Rating:** -40° to +194°F (-40° to +90°C)  
**Electrical Life:** 100,000 (5A Type); 1,000,000 (0.1A Type) cycles min.  
**Mechanical Life:** 10,000,000 cycles min.  
**Terminal Type:** Solder Lug and #187 Tab Terminals

NEW  
NEW

# Snap Action, Sealed, Miniature

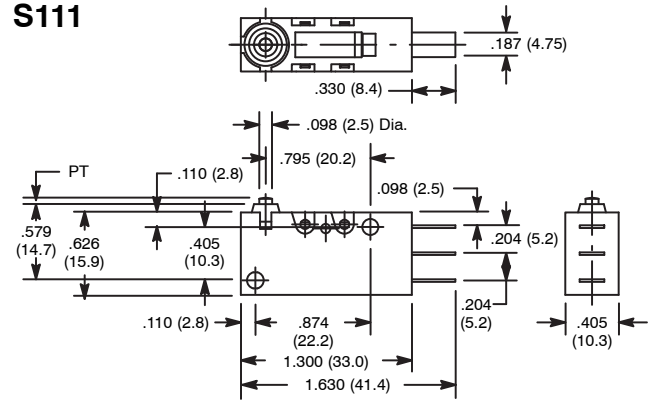


## Features

- Actuator: Pin Plunger
- Sealed Construction (Meets IP50 Requirements)
- RoHS Compliant



S111



## Specifications

### Current Rating:

**54-482WT:** 5A 125/250VAC (Note: UL/CSA for 3 Amp Only), 5A 30VDC, 0.4A 125VDC, 0.2A 250VDC

**54-483WT:** 0.1A 125VAC, 0.1A 30VDC

**Contact Resistance:** 100 Milliohms (max.) initial

**Insulation Resistance:** 100 Megohms (min.) at 500VDC

**Dielectric Strength (50/60Hz for 1 min.):**

**Between Contacts of Same Polarity:** 1000VAC

**Between Each Terminal & GND:** 1500VAC

**Temperature Rating:** -40° to +194°F (-40° to +90°C)

**Electrical Life:** 100,000 (5A Type); 1,000,000 (0.1A Type) cycles min.

**Mechanical Life:** 10,000,000 cycles min.

**Terminal Type:** Solder Lug and #187 Tab Terminals

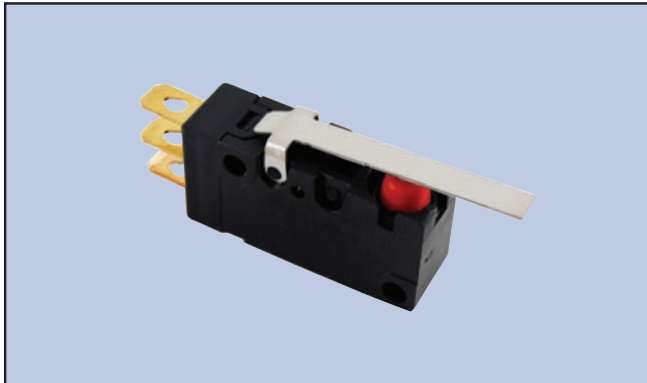
NTE Type No.	Circuitry	Max. Pre-Travel	Min. Over Travel	Max. Operating Force	Max. Differential	Diag No.
NEW 54-482WT	SPDT	0.05"	0.04"	200g	0.016"	S111
NEW 54-483WT	SPDT	0.05"	0.04"	200g	0.016"	S111

# Snap Action, Sealed, Miniature

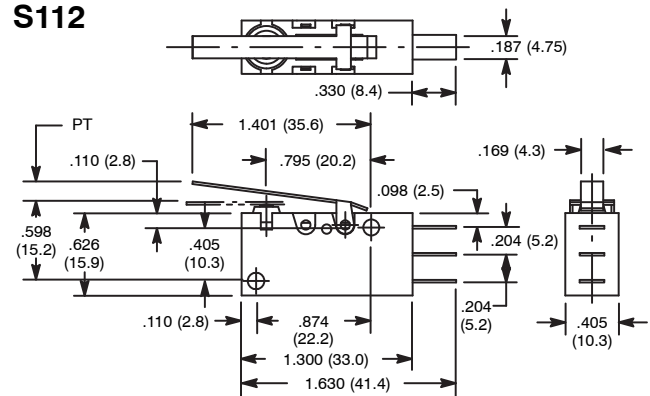


## Features

- Actuator: Hinge Lever
- Sealed Construction (Meets IP50 Requirements)
- RoHS Compliant



S112



## Specifications

### Current Rating:

**54-484WT:** 5A 125/250VAC (Note: UL/CSA for 3 Amp Only), 5A 30VDC, 0.4A 125VDC, 0.2A 250VDC

**54-485WT:** 0.1A 125VAC, 0.1A 30VDC

**Contact Resistance:** 100 Milliohms (max.) initial

**Insulation Resistance:** 100 Megohms (min.) at 500VDC

**Dielectric Strength (50/60Hz for 1 min.):**

**Between Contacts of Same Polarity:** 1000VAC

**Between Each Terminal & GND:** 1500VAC

**Temperature Rating:** -40° to +194°F (-40° to +90°C)

**Electrical Life:** 100,000 (5A Type); 1,000,000 (0.1A Type) cycles min.

**Mechanical Life:** 10,000,000 cycles min.

**Terminal Type:** Solder Lug and #187 Tab Terminals

NTE Type No.	Circuitry	Max. Pre-Travel	Min. Over Travel	Max. Operating Force	Max. Differential	Diag No.
NEW 54-484WT	SPDT	0.16"	0.06"	120g	0.03"	S112
NEW 54-485WT	SPDT	0.16"	0.06"	120g	0.03"	S112

# Snap Action, Sealed, Miniature

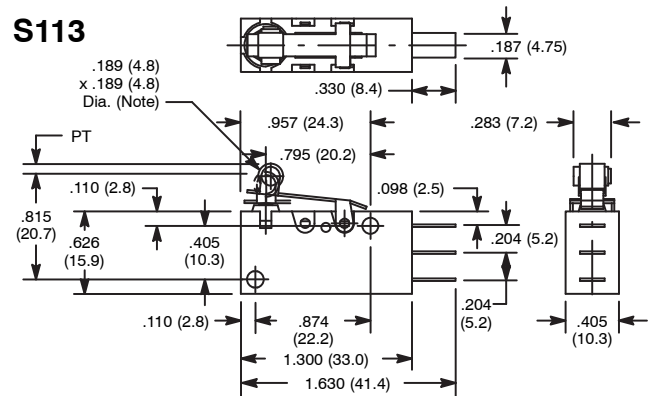


## Features

- Actuator: Short Hinge Roller Lever
- Sealed Construction (Meets IP50 Requirements)
- RoHS Compliant



## S113



Note: Oilless polyacetal resin roller

## Specifications

### Current Rating:

**54-486WT:** 5A 125/250VAC (Note: UL/CSA for 3 Amp Only), 5A 30VDC, 0.4A 125VDC, 0.2A 250VDC

**54-487WT:** 0.1A 125VAC, 0.1A 30VDC

**Contact Resistance:** 100 Milliohms (max.) initial

**Insulation Resistance:** 100 Megohms (min.) at 500VDC

**Dielectric Strength (50/60Hz for 1 min.):**

**Between Contacts of Same Polarity:** 1000VAC

**Between Each Terminal & GND:** 1500VAC

**Temperature Rating:** -40° to +194°F (-40° to +90°C)

**Electrical Life:** 100,000 (5A Type); 1,000,000 (0.1A Type) cycles min.

**Mechanical Life:** 10,000,000 cycles min.

**Terminal Type:** Solder Lug and #187 Tab Terminals

NEW

NEW

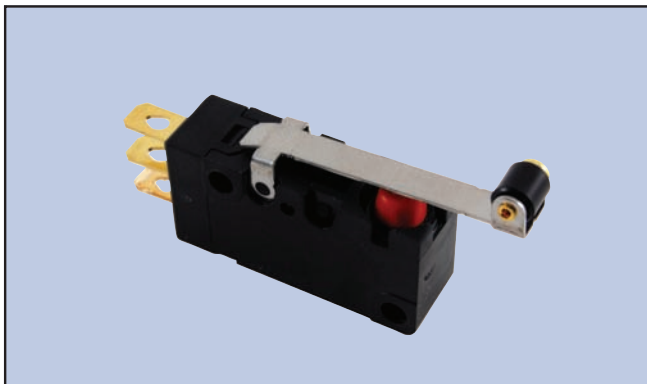
NTE Type No.	Circuitry	Max. Pre-Travel	Min. Over Travel	Max. Operating Force	Max. Differential	Diag No.
54-486WT	SPDT	0.06"	0.03"	230g	0.02"	S113
54-487WT	SPDT	0.06"	0.03"	230g	0.02"	S113

# Snap Action, Sealed, Miniature

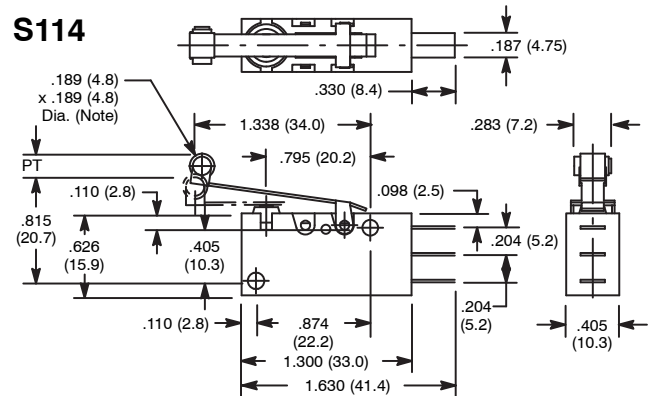


## Features

- Actuator: Hinge Roller Lever
- Sealed Construction (Meets IP50 Requirements)
- RoHS Compliant



## S114



Note: Oilless polyacetal resin roller

## Specifications

### Current Rating:

**54-488WT:** 5A 125/250VAC (Note: UL/CSA for 3 Amp Only), 5A 30VDC, 0.4A 125VDC, 0.2A 250VDC

**54-489WT:** 0.1A 125VAC, 0.1A 30VDC

**Contact Resistance:** 100 Milliohms (max.) initial

**Insulation Resistance:** 100 Megohms (min.) at 500VDC

**Dielectric Strength (50/60Hz for 1 min.):**

**Between Contacts of Same Polarity:** 1000VAC

**Between Each Terminal & GND:** 1500VAC

**Temperature Rating:** -40° to +194°F (-40° to +90°C)

**Electrical Life:** 100,000 (5A Type); 1,000,000 (0.1A Type) cycles min.

**Mechanical Life:** 10,000,000 cycles min.

**Terminal Type:** Solder Lug and #187 Tab Terminals

NEW

NEW

NTE Type No.	Circuitry	Max. Pre-Travel	Min. Over Travel	Max. Operating Force	Max. Differential	Diag No.
54-488WT	SPDT	0.16"	0.06"	120g	0.03"	S114
54-489WT	SPDT	0.16"	0.06"	120g	0.03"	S114